



STEELLOGIC, LLC
BUILDING PRODUCTS DIVISION



Corrugated

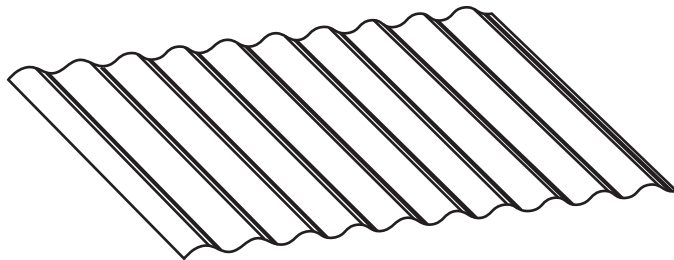




Table of Contents

Important Information	2
Installation Information	4
Technical Information	5
Trims and Flashings Illustration	6
Roofing Installation Details	
Fascia Cover (FC-5/FC-7/FC-9)	8
Eave Drip (ED-1)	9
Eave Flashing (EF-3)	10
Preformed Valley (PV-1/PV-2)	11
End Wall Flashing (EW-1)	12
Side Wall Flashing (SW-1)	13
Transition Flashing (TF-1)	14
Gambrel Flashing (GF-1)	15
Gable Rake (EF-3)	16
High Side Eave (HS-2)	17
Hip Cap (RC-2)	18
Ridge Cap (RC-3)	19
Ridge Cap (RC-8)	20
Vented Ridge with Venturi Vent	21
Optional Vented Ridge with Profile Vent	22
Pipe Boot	23
Fastener Guide	24
Sealants and Accessories	25
Helpful Formulas	26
Flashing Angle Specifier Chart	27



Delivery, Handling and Storage

Proper care in storing and handling metal panels is essential in providing you with years of service. Panels should be installed immediately to prevent storage oxidation or paint peel. Any panels not immediately installed must be kept dry and stored in an indoor area. Extreme caution should be taken in order to prevent moisture penetration of the stack(s) by rain, snowfall or condensation. Condensation is moisture that accumulates naturally from the change in temperature of the material nested in a stack where adequate ventilation has been restricted.

Store the panels off the ground, on wooden blocks with one end slightly elevated. Cut banding to allow the stack to expand and allow a small amount of ventilation. Cover the stack with loose canvas tarp or waterproof paper. Covering should be placed over the stack but never tightly secured to the ground to allow air flow. Do not cover metal with plastic as this can create condensation.

Safety Precautions

It is the responsibility of the buyer to ensure the safe installation of these product systems. Metal panels have sharp edges, therefore protective clothing and gloves should be utilized. To prevent eye injury, safety glasses must be worn when drilling or cutting steel panels. Steel panels can become slippery when wet. Use extreme care when walking on any roofing panel. Proper underlayment is necessary to prevent fall-through. Plywood is recommended on all non-structural panel applications. Do not work on steel panels when wet or when weather conditions are not suitable for safe installation.

Cancellations

Steellogic, LLC will honor cancellation prior to manufacturing. Any order which has already been manufactured is the property of the purchaser.

Claims

All claims of shortage, damage, etc. must be made within 48 hours of the date of receipt. Claims must be accompanied by a copy of the bill of lading verified by the shipper which must indicate shortages or damages as received. Steellogic, LLC can not honor shortage or damage claims on freight carriers unless the carrier's paperwork is duly noted.

Disclaimer

The information contained in this product manual is subject to change without notice. Steellogic, LLC reserves the right to discontinue or modify products and installation methods at any time without notice and incurring no obligation. Contact Steellogic, LLC to obtain the latest information.

Throughout this product manual each panel series is specified per Steellogic, LLC recommended use and application of these products. The use of these products should not vary from these recommendations or should not be applied using another manufacturer's specifications or guidelines. If you have any questions about any of the products and their appropriate applications, please call Steellogic, LLC.

NOTICE: The application details are for illustration purposes only. These details may not be suitable for all building designs or conditions. Projects should be engineered to confirm to building codes, regulations, and industry practices which are applicable. Consult Steellogic, LLC for any additional information not outlined in this manual.



Installation Information

Panel

There are three critical measurements involving roof panels: the length required at the eave, the peak end and the amount of panel lap (if required). In each case a certain measurement is required. Check each measurement to ensure panel placement gives you the distance required at the eave, peak and endlap condition (if required). In most cases any variance can be taken out at the eave and peak.

Accessories

This publication details the standard line of trims and accessories for Corrugated roofing and siding applications. Additional trims, including custom accessories, are available upon request.

Substrate

In residential applications, Steellogic, LLC recommends the use of minimum 15/32 plywood or 7/16 OSB decking. In addition, we specify a 30# felt be installed in accordance with local building code requirements to control condensation.

NOTE: Steellogic, LLC does not recommend the use of square headed cap nails. If tin tabs are used to secure the 30# felt to the decking material, Steellogic, LLC recommends a separation sheet of 15# felt or rosin paper be used over the 30# felt, applied in the same direction as the panels. If the building parameters differ from those stated in the manufacturer's recommended fastening schedule, specific fastening calculators must be computed by the engineer of record.

Metal Re-Roofing Over Shingles

Steellogic, LLC's metal roofing panels may be installed over existing asphalt shingles, provided the roof decking integrity has been confirmed to be free of any moisture decay that would prevent un-level-ness or fastener pull out capacity.

NOTE: Ordinances regarding roofing applications over existing shingles vary by county and state. Check your local building code organization for more information.

The panels may be applied directly over one layer of existing shingles, provided a separation sheet is installed on top to the shingles. We require a minimum 30# felt installed in the same direction as the panels.

Metal roofing can also be separated from the moisture barrier by optional 1" x 3" battens as furring, spaced a maximum of 24" on center and fastened according to our recommended application details. **CAUTION:** Direct contact between pressure treated lumber and metal roofing must be avoided to prevent corrosion.

Trimming and Cutting Steel Panels

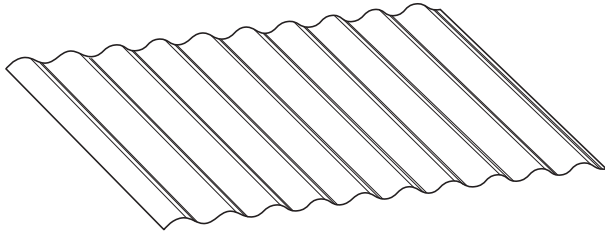
Whether cutting with the profile (length-wise) or across the panel (width wise), it is best to use an electric nibbler, shears or hand tin-snips. It is very important to cut panels one at a time with the finish side of the panel facing down on wood blocks. Care should be taken to ensure that the hot metal particles and filings from cutting and securing the panel do not become embedded in the panel.

CAUTION: Filings from screw and panel cuttings must be cleaned off the panel after screws have been applied through the panel to avoid rust marks or "bleeding" on the panels. Failure to comply with the above procedures relieves Steellogic, LLC, of responsibility for any resulting damage to, or deterioration of the finish and voids any paint or finish warranty.

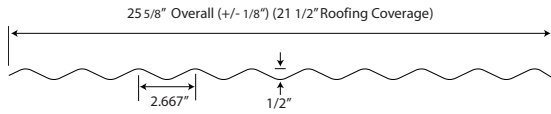


Technical Information

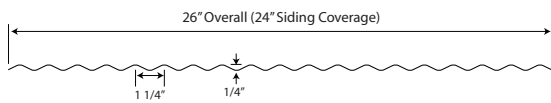
Corrugated Panels



Profile Detail - 2 1/2" Roofing Panels



Profile Detail - 1 1/4" Siding Panels



Testing Data and Specifications

Fire Testing per ASTM E108 or UL790.

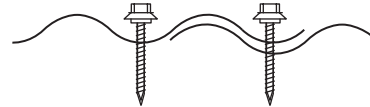
Code Approvals

UL Fire Resistance Directory # R20735

Sidelap Detail 21" Coverage - Roofing



Sidelap Detail 24" Coverage - Siding

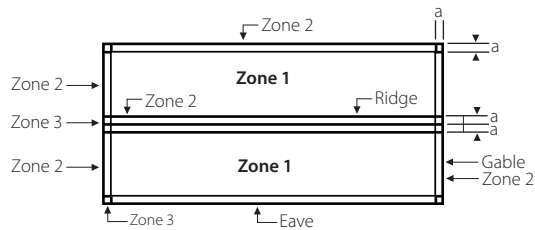


Recommended Fastening Schedule

Maximum Fastener Spacing ^{1,2,3,4}		
Min. 15/32" Plywood/ OSB Decking	Field	Perimeter and Corners
Maximum Fastener Spacing	16" on center	12" on center

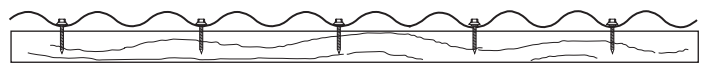
1. Extrapolation and rational analysis by a Florida Licensed Architect or Structural Engineer is allowed outside the Miami-Dade HVHZ compliance area. 2. Extrapolation and rational analysis shall not be allowed above the maximum tested design pressures within the Miami-Dade HVHZ compliance area. 3. Interpolation is allowed between Field and Perimeter & Corner test pressure values. 4. For corresponding wind speeds, refer to table 1609.6.2.1(2) of the Florida Building Code.

Roof Zones



Note: Dimension (a) is defined as 10% of the minimum width of the building or 40% of the mean height of the roof, whichever is smaller, however, (a) cannot be less than either 4% of the minimum width of the building or 3 feet.

O.C. Spacing and Fastening Detail



For eaves, ridges and valleys



For all intermediate purlins or plywood

Corrugated

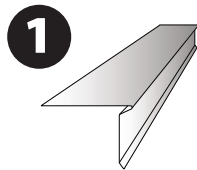


STEELLOGIC, LLC
BUILDING PRODUCTS DIVISION

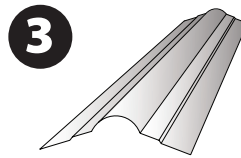


ENERGY
STAR
PARTNER

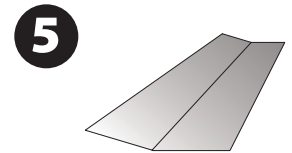
Trims & Flashings



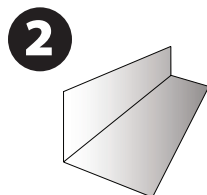
1
Eave Drip/Eave Flashing
ED-1/EF-3



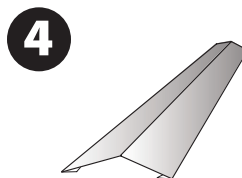
3
Ridge Cap
RC-3



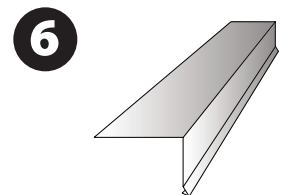
5
Transition Flashing
TF-1



2
End Wall Flashing
ED-1/EF-3



4
Ridge/Hip Cap
RC-2 or RC-8

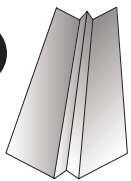


6
Gable Rake
EF-3

Corrugated

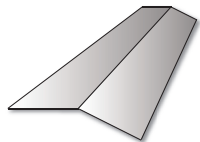


7



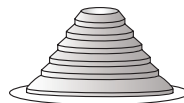
Preformed Valley
PV-1 or PV-2

9



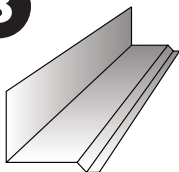
Gambrel Flashing
GF-1

11



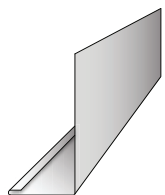
Pipe Boot

8



Side Wall Flashing
SW-1

10



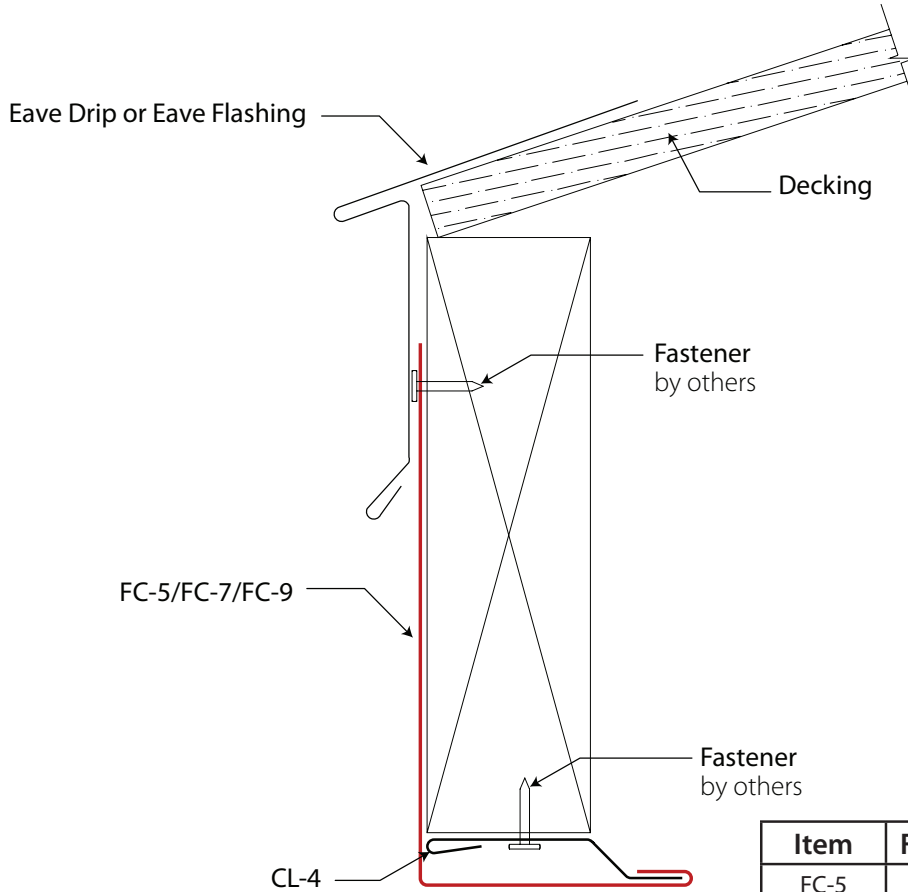
Fascia Cover
FC-5/FC-7/FC-9

**See Page 25 for accessories used when installing these trims and flashings.*

**Additional and custom trims are available. Please call Technical support for more information.*

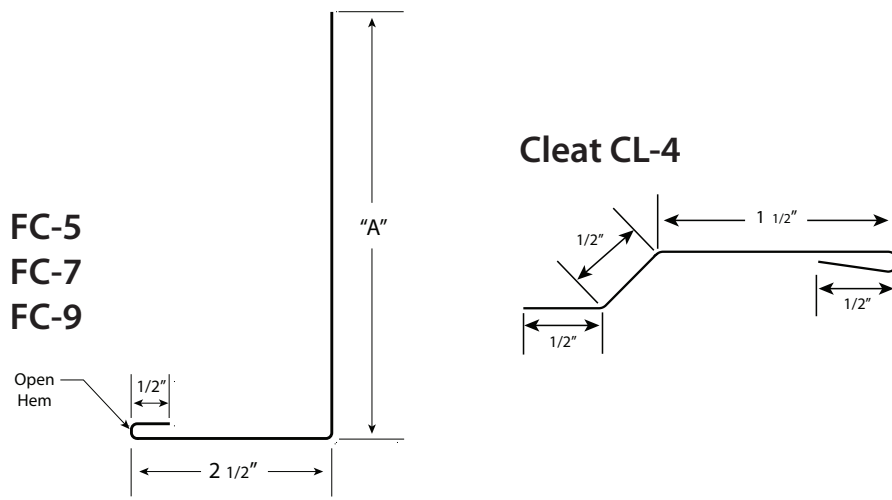


Fascia Cover FC-5/FC-7/FC-9 (10' Lengths)



Item	Fascia Size	"A"
FC-5	2" x 6"	5"
FC-7	2" x 8"	7"
FC-9	2" x 10"	9"

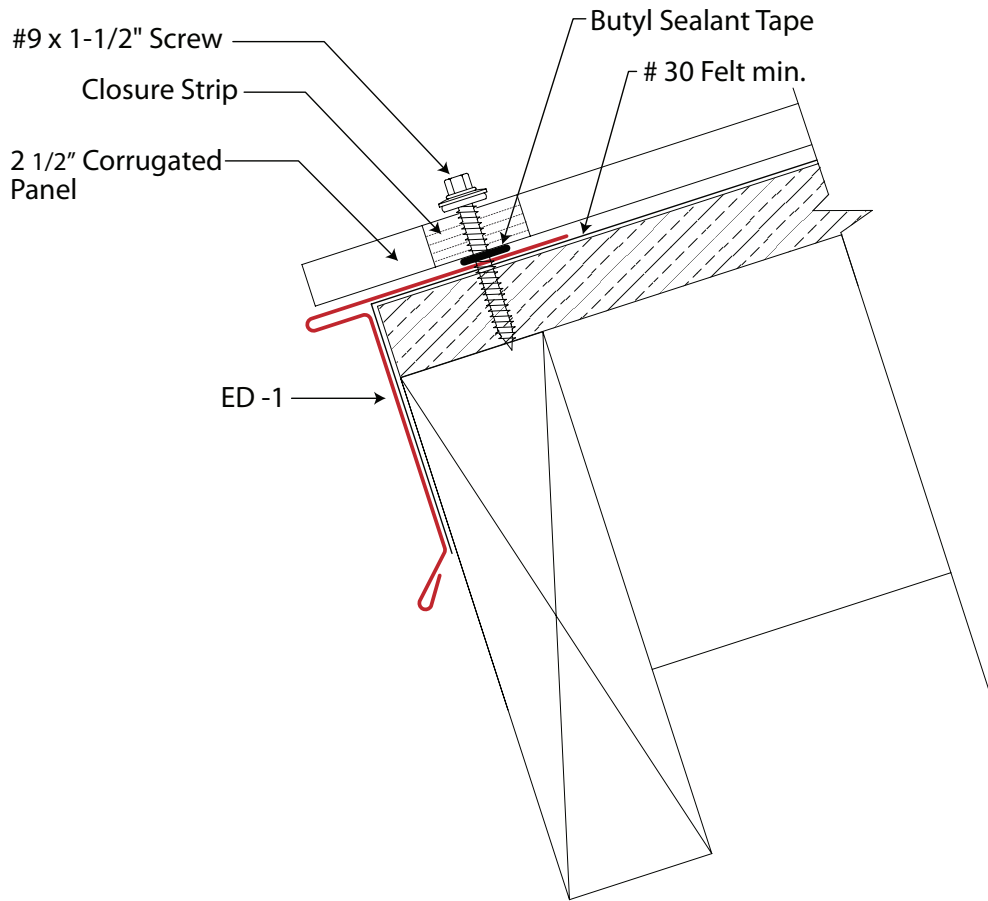
Component Details



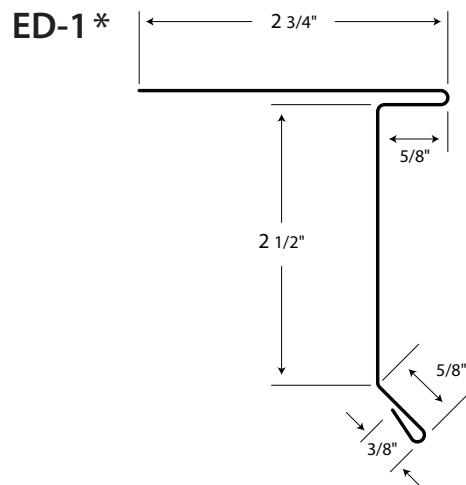
Corrugated



Eave Drip ED-1 (10' Lengths)



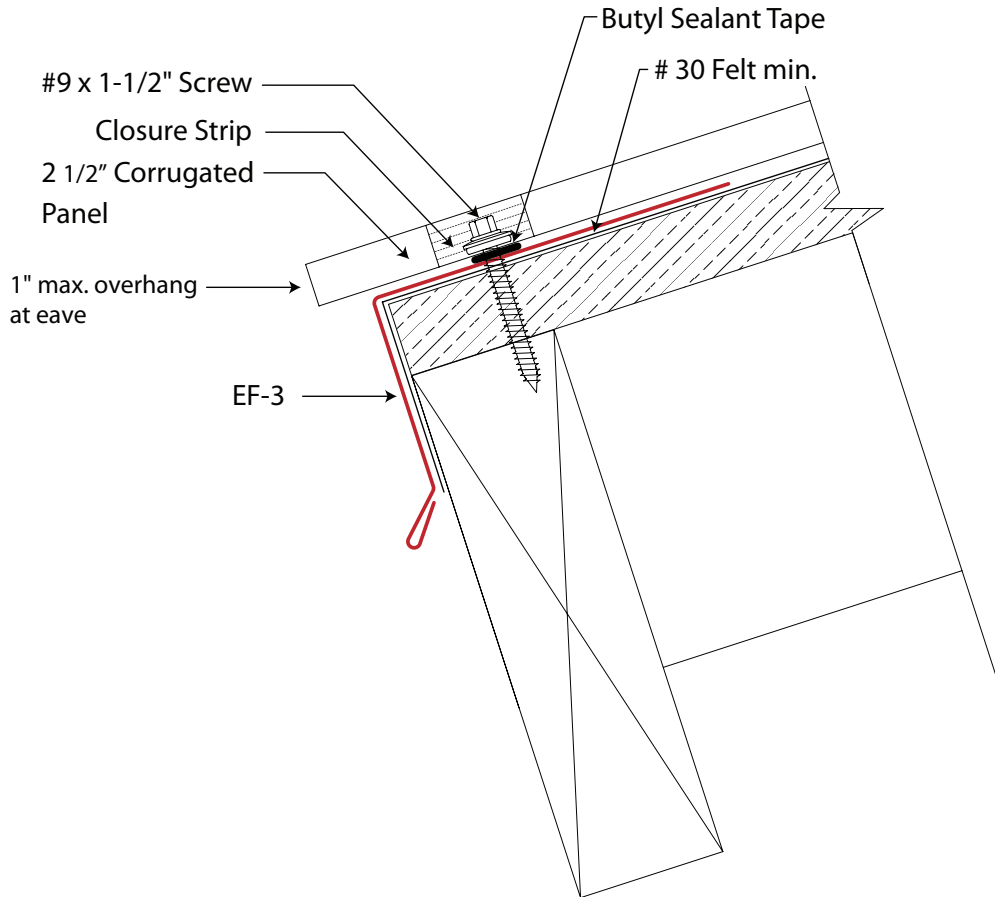
Component Details



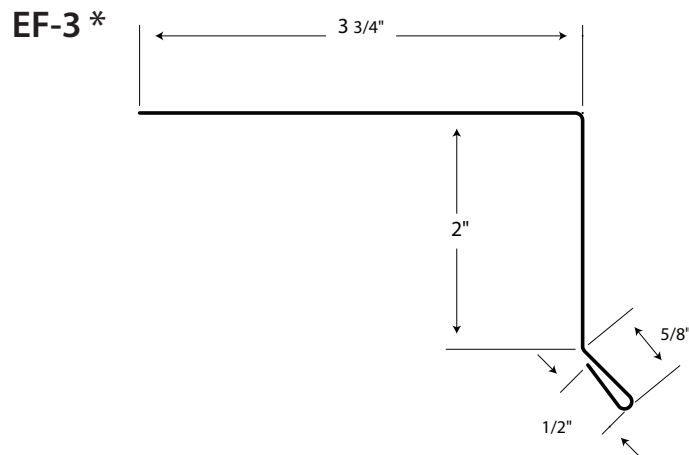
* See page 27 for angle specification



Eave Flashing EF-3 (10' Lengths)



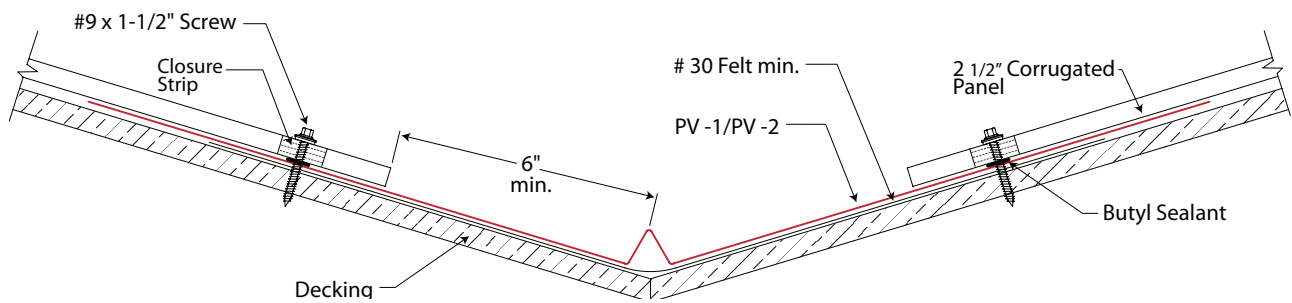
Component Details



* See page 27 for angle specification

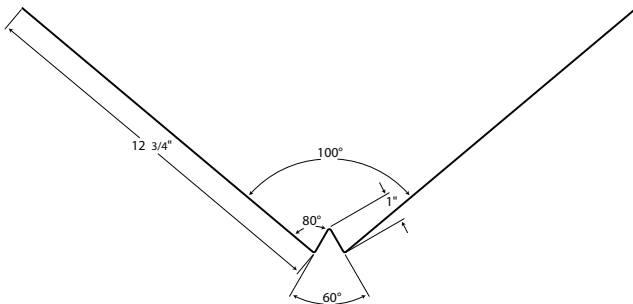


Preformed Valley PV-1/PV-2 (10' Lengths)

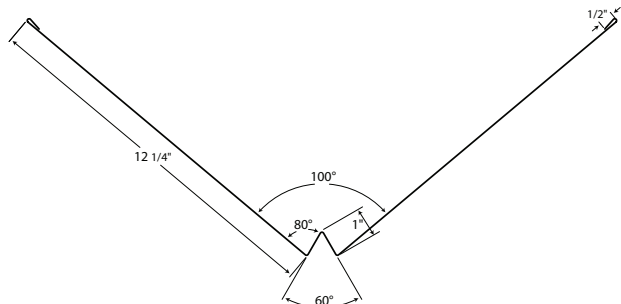


Component Details

PV-1 - Unhemmed *



PV-2 - Hemmed *

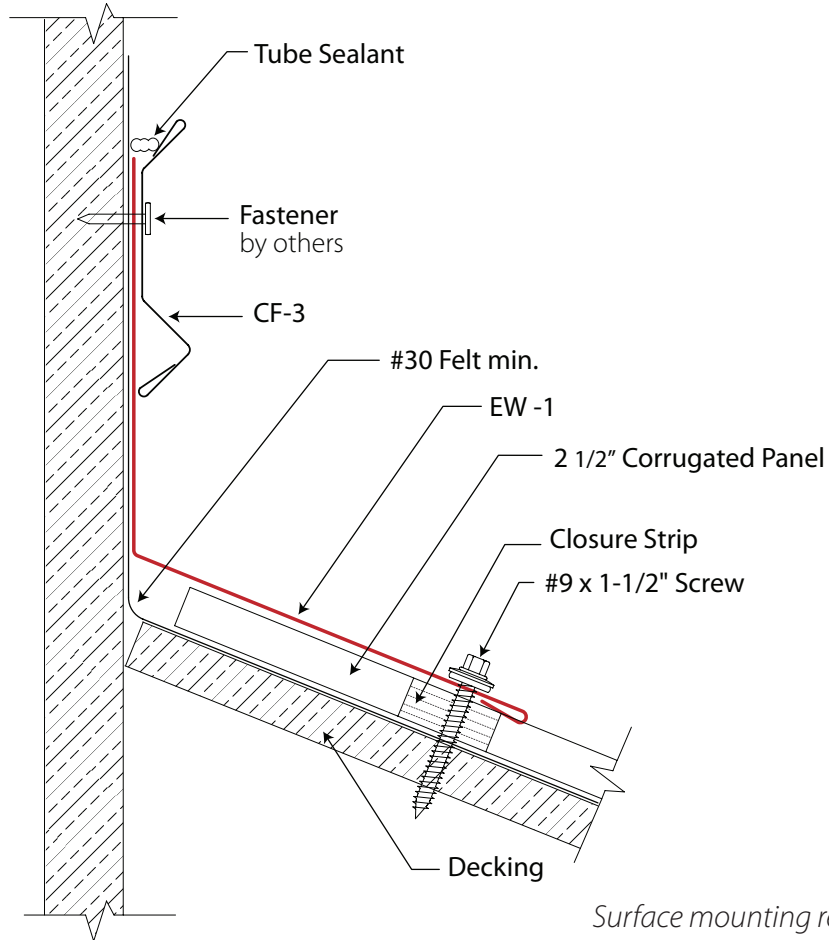


* See page 27 for angle specification

Corrugated



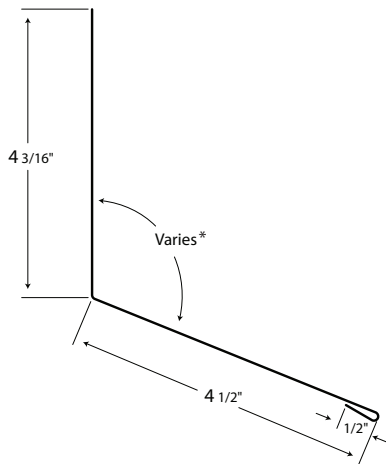
End Wall Flashing EW-1 (10' Lengths)



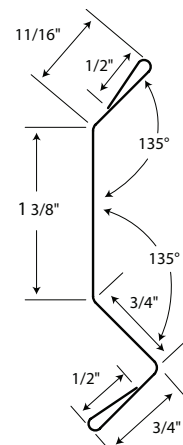
Surface mounting requires use of Counter Flashing (CF-3)

Component Details

EW-1



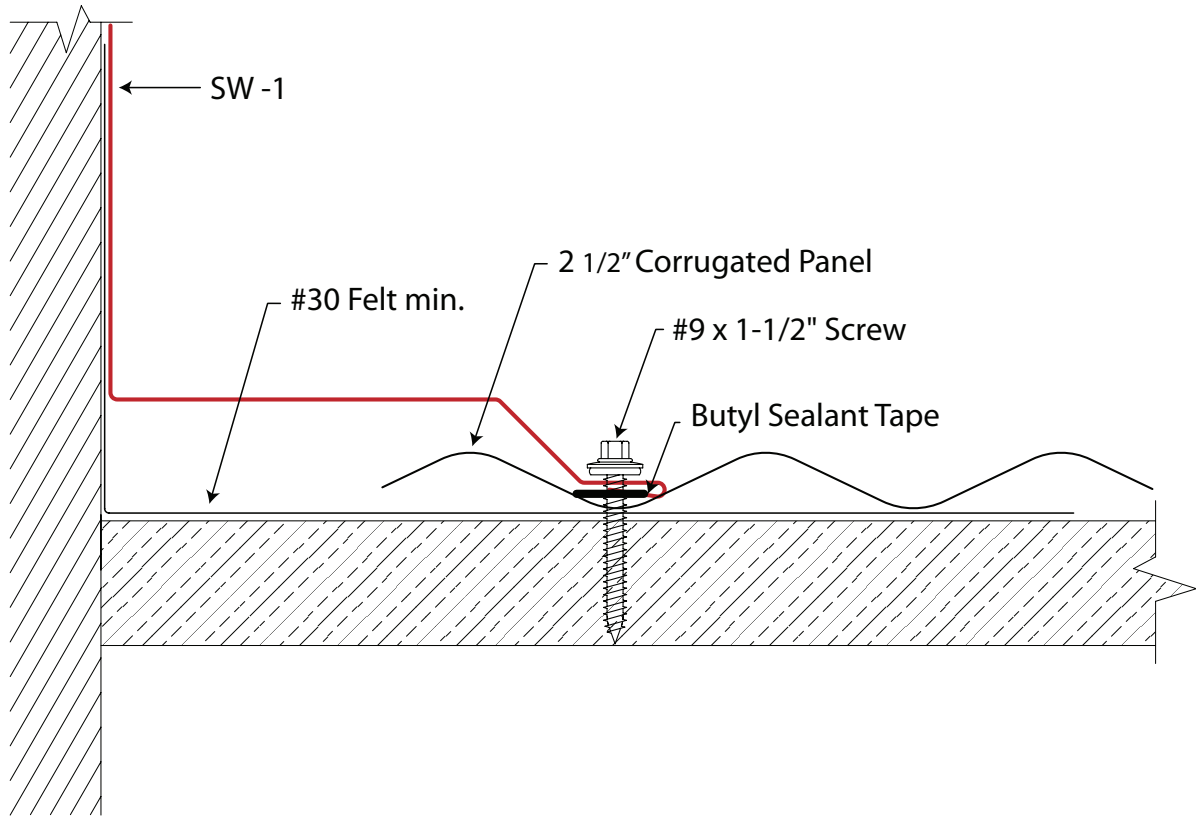
CF-3



** See page 27 for angle specification*

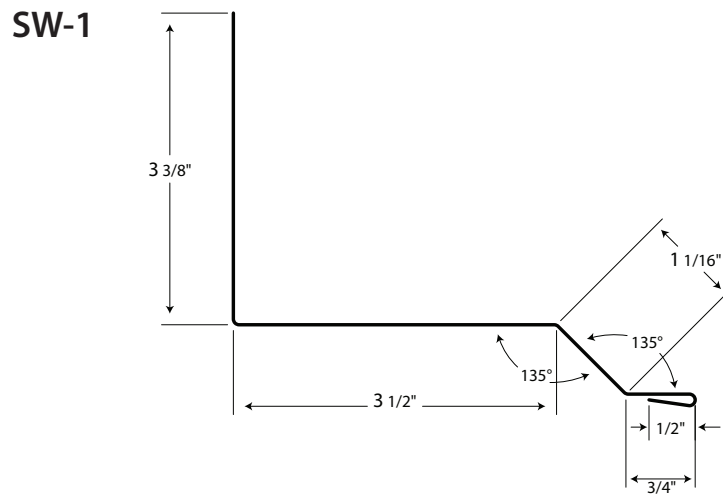


Side Wall Flashing SW-1 (10' Lengths)



Surface mounting requires use of Counter Flashing (CF-3)

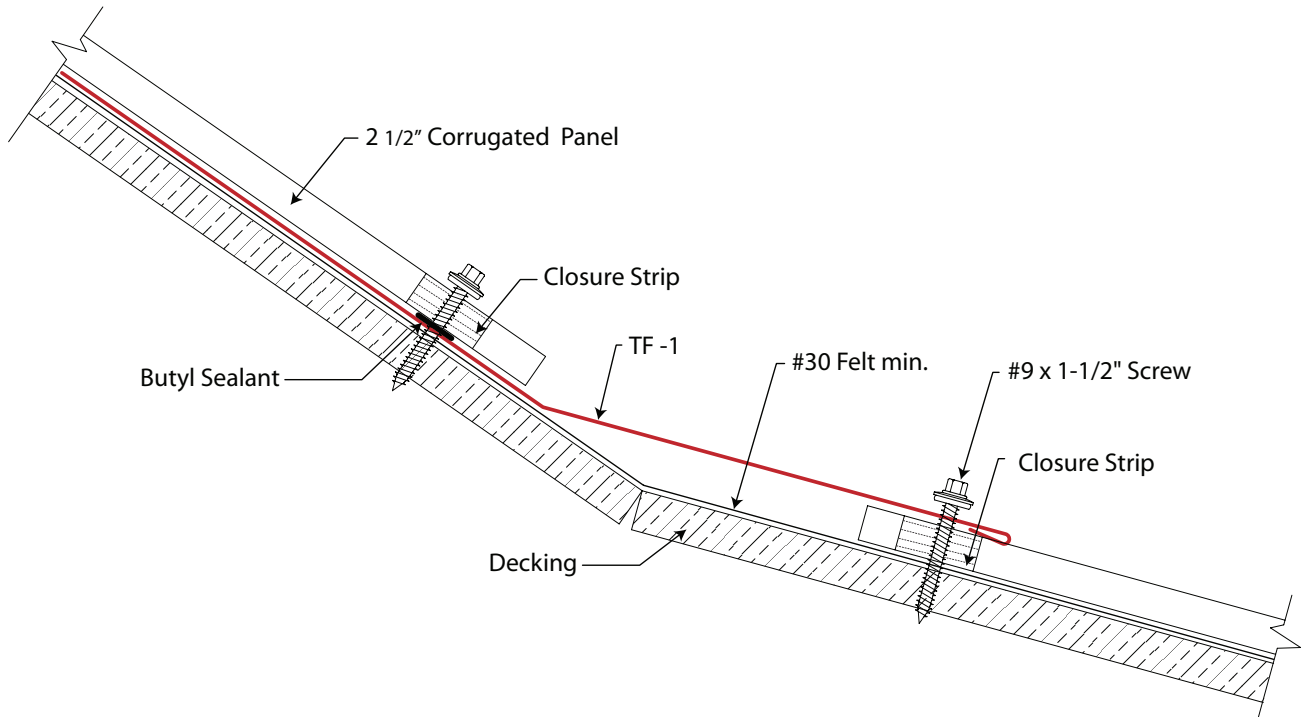
Component Details



Corrugated

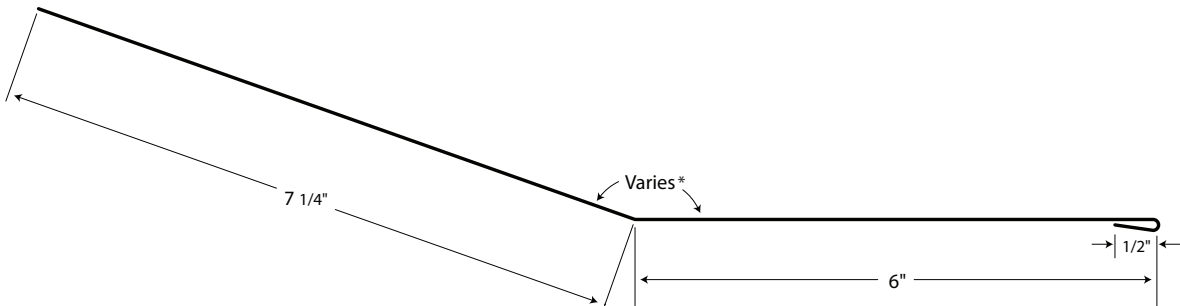


Transition Flashing TF-1 (10' Lengths)



Component Details

TF-1

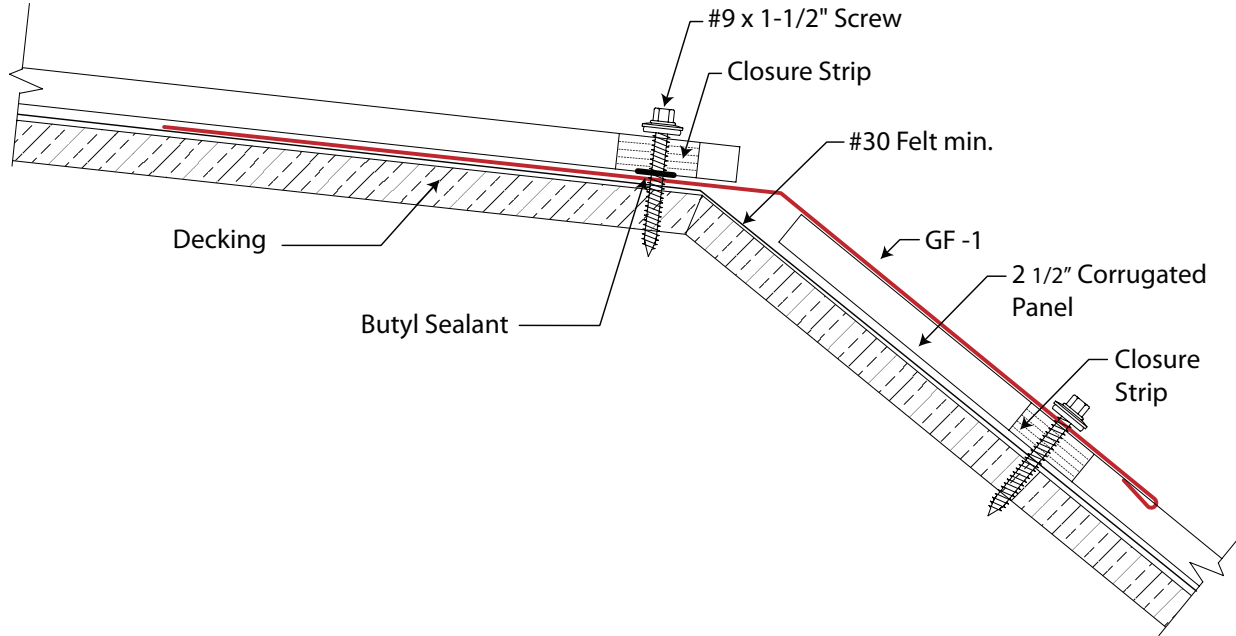


* See page 27 for angle specification

Corrugated

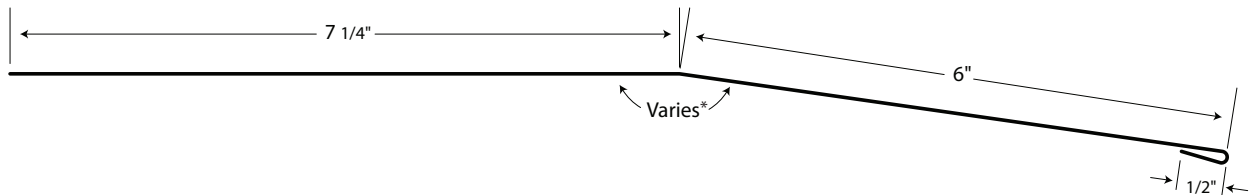


Gambrel Flashing GF-1 (10' Lengths)



Component Details

GF-1

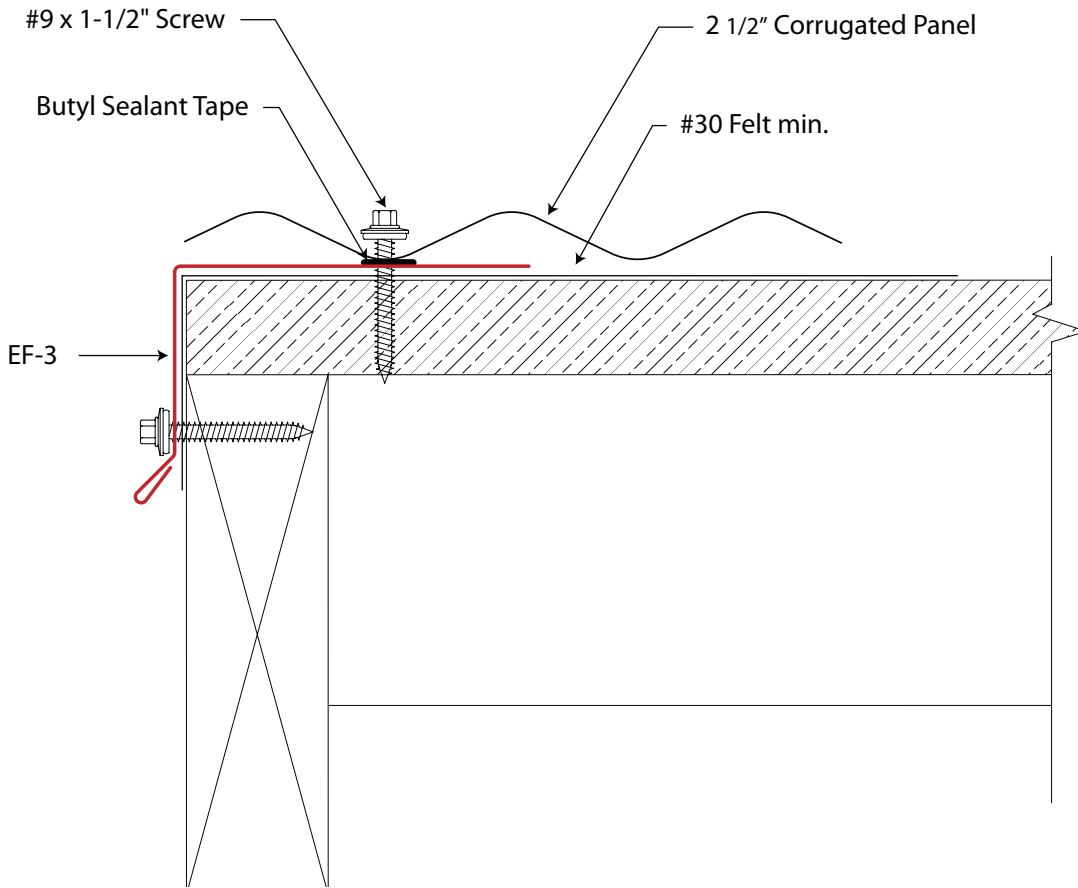


* See page 27 for angle specification

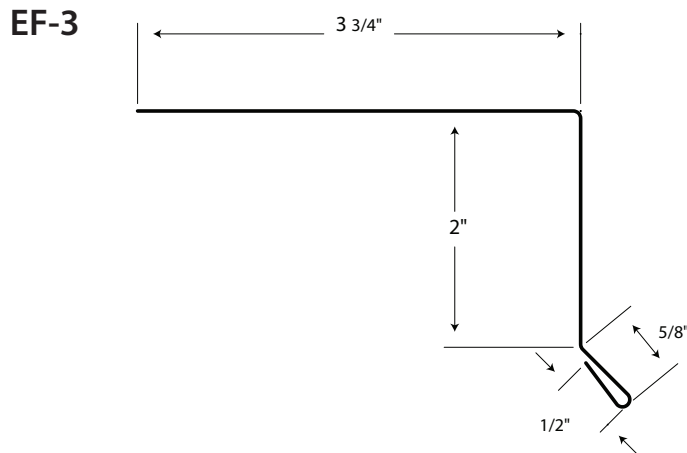
Corrugated



Gable Rake EF-3 (10' Lengths)



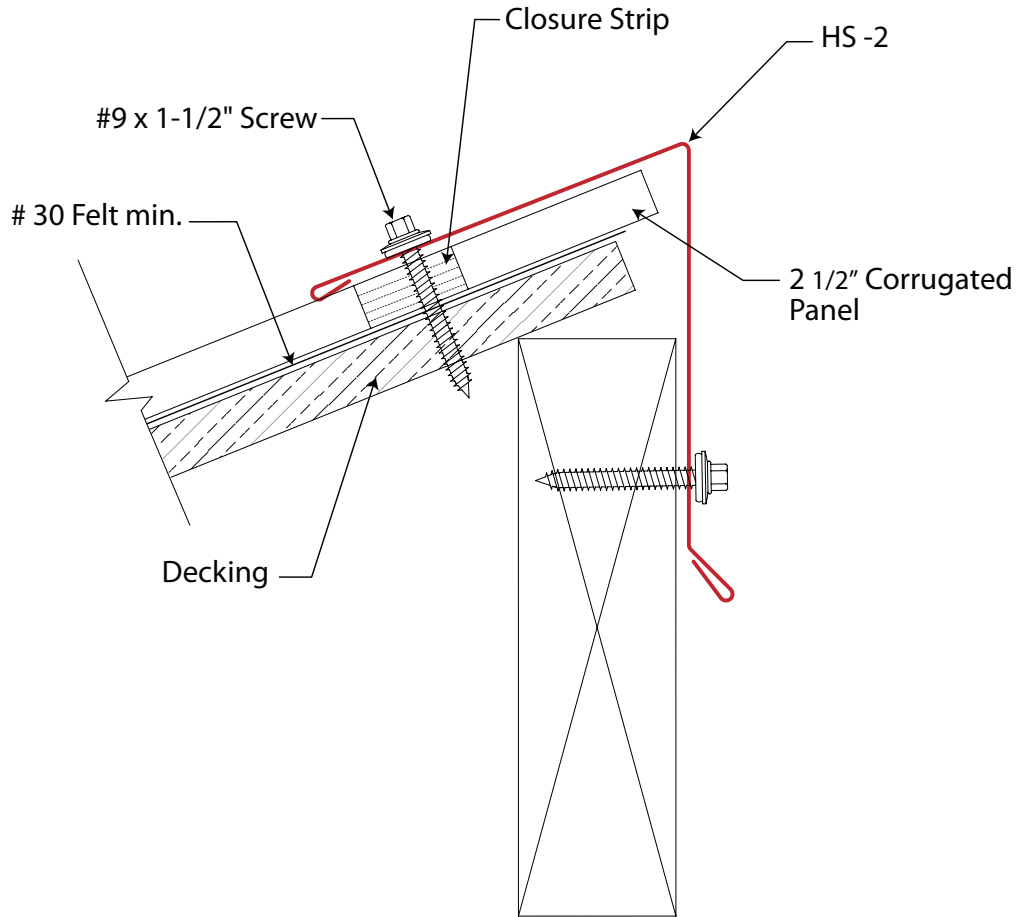
Component Details



Corrugated

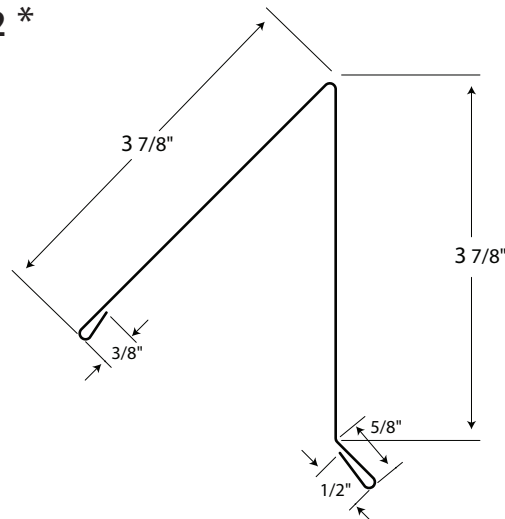


High Side Eave HS-2 (10' Lengths)



Component Details

HS-2 *

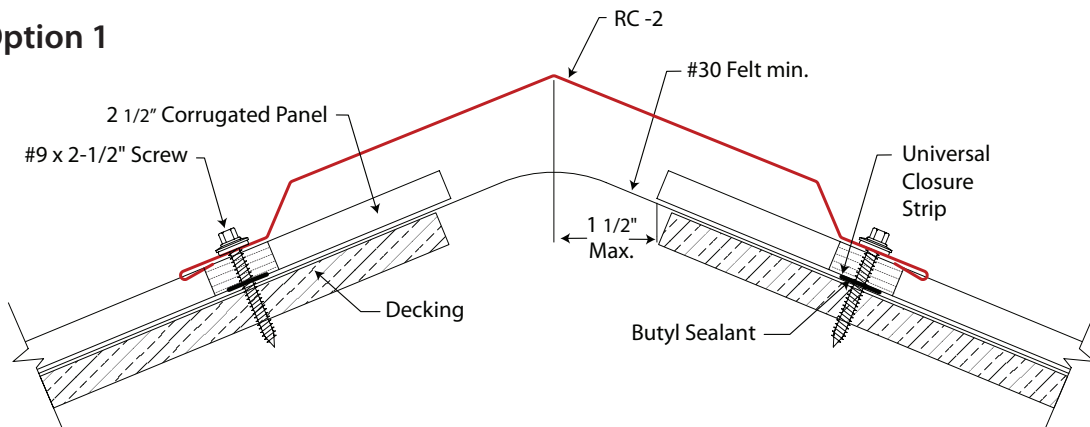


* See page 27 for angle specification

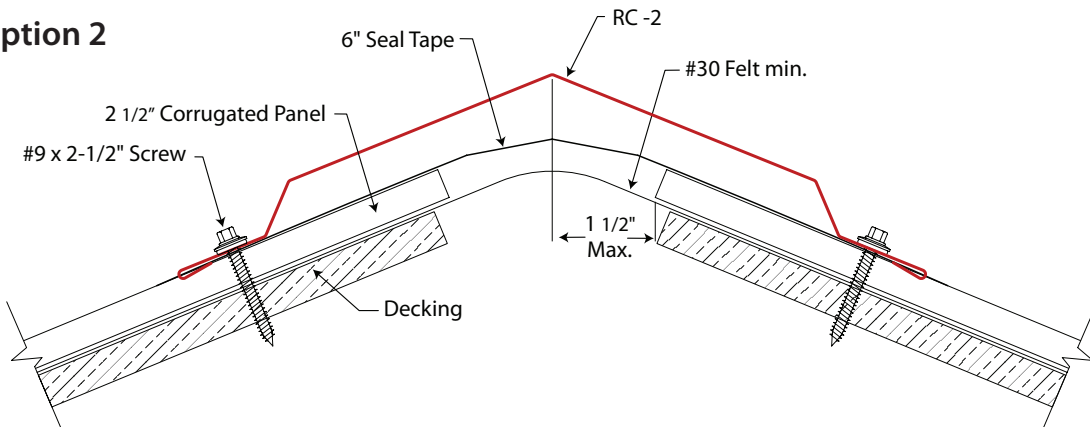


Hip Cap RC-2 (10' Lengths)

Option 1

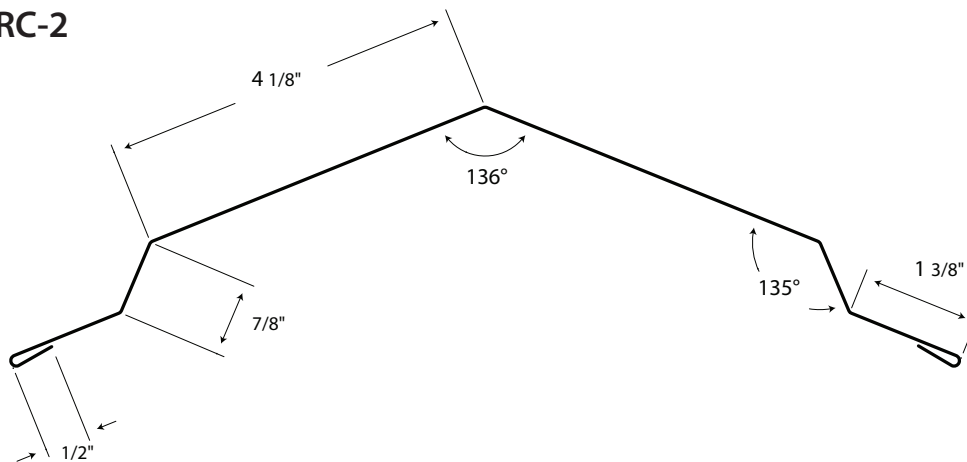


Option 2



Component Details

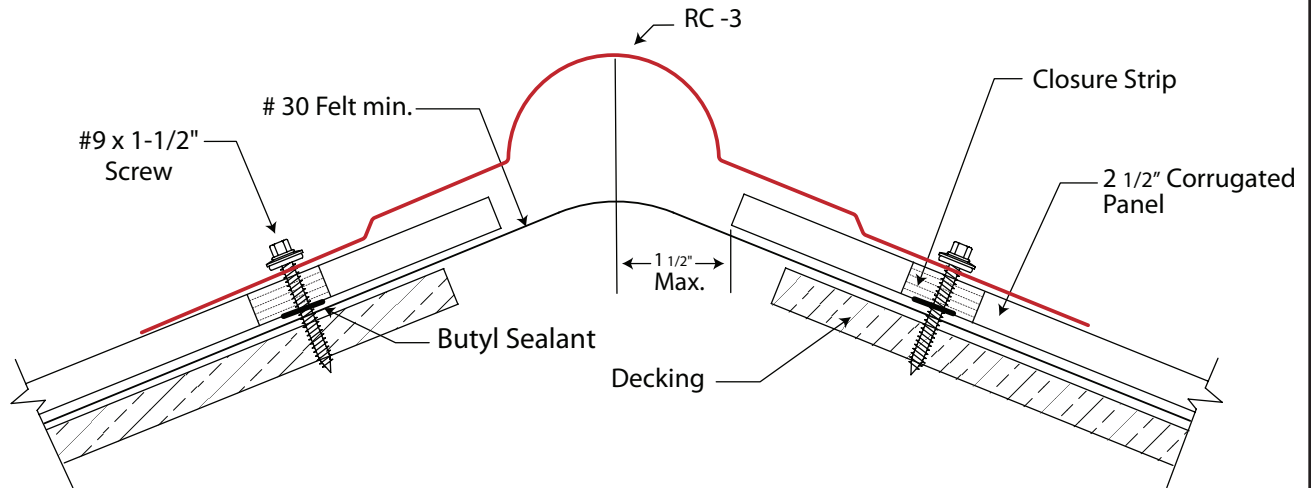
RC-2



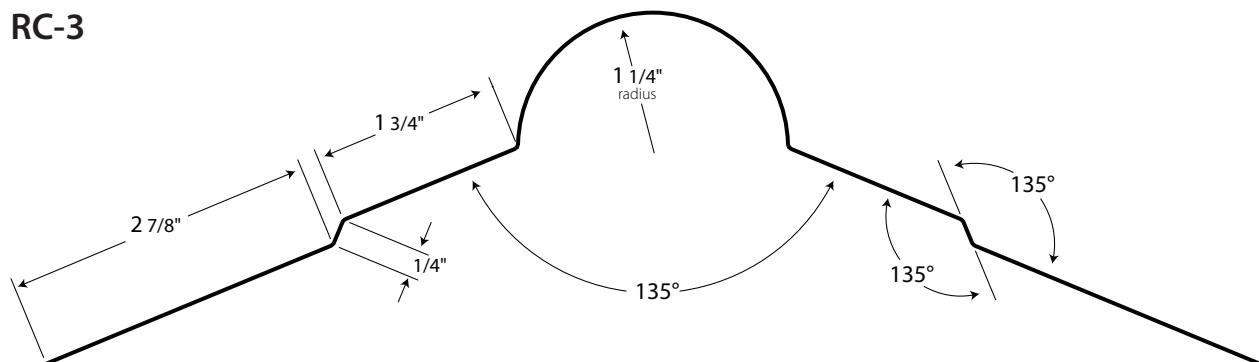
Corrugated



Ridge Cap RC-3 (10' Lengths)



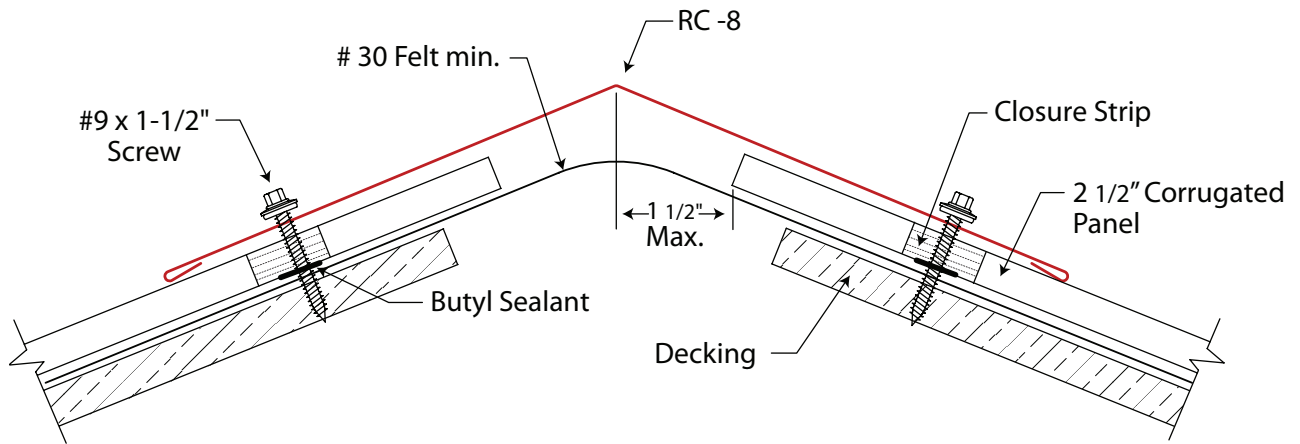
Component Details



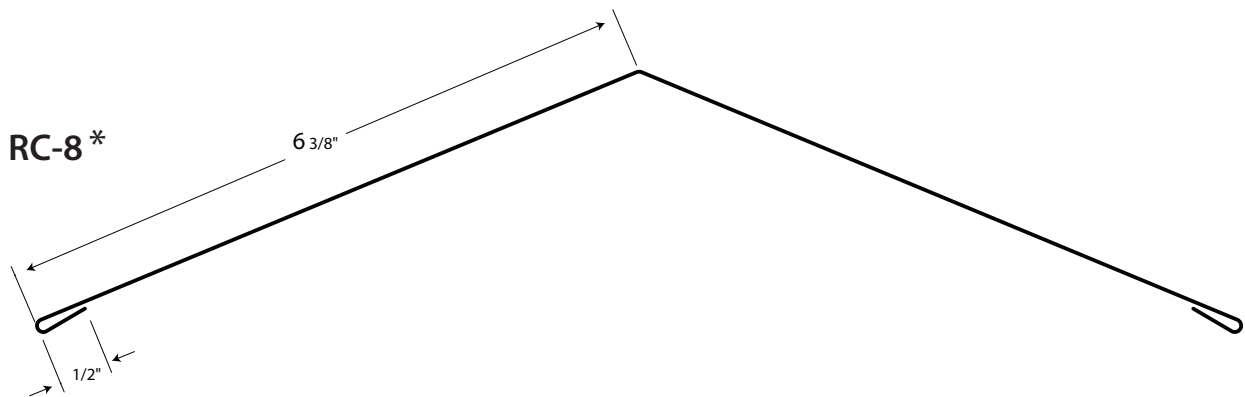
Corrugated



Ridge Cap RC-8 (10' Lengths)



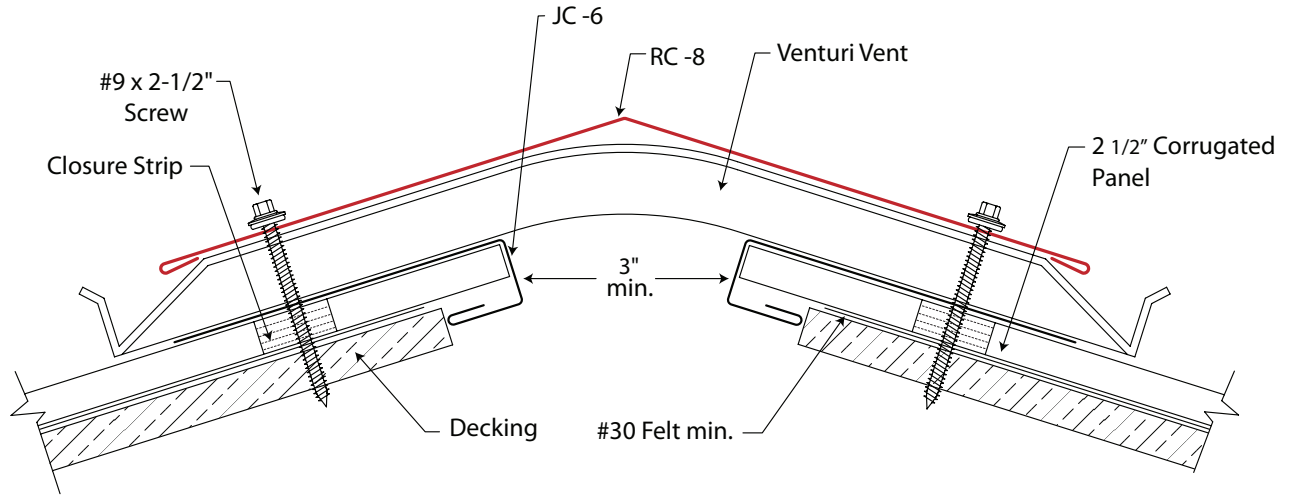
Component Details



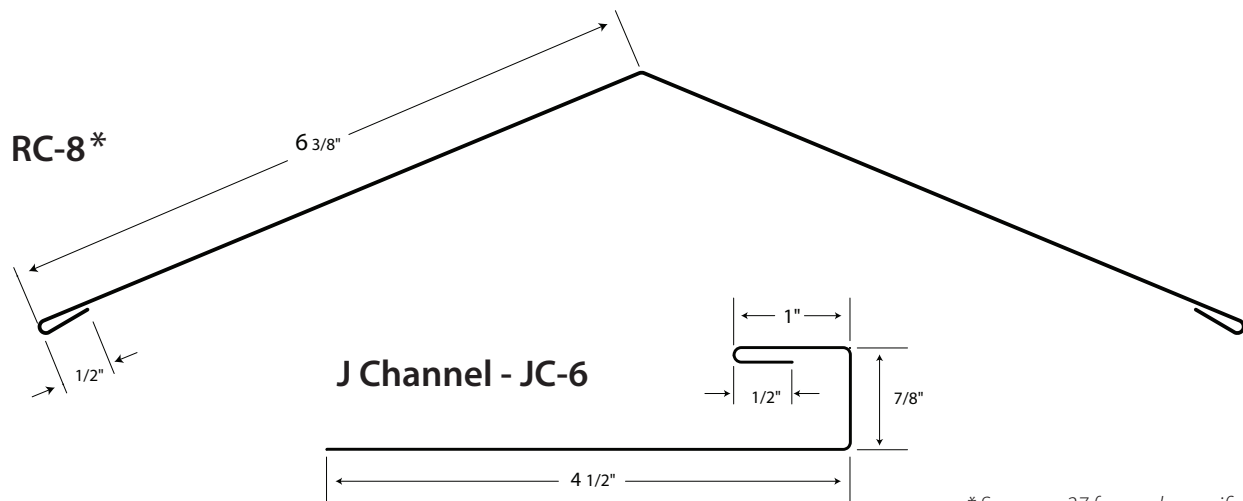
* See page 27 for angle specification



Vented Ridge with Venturi Vent



Component Details

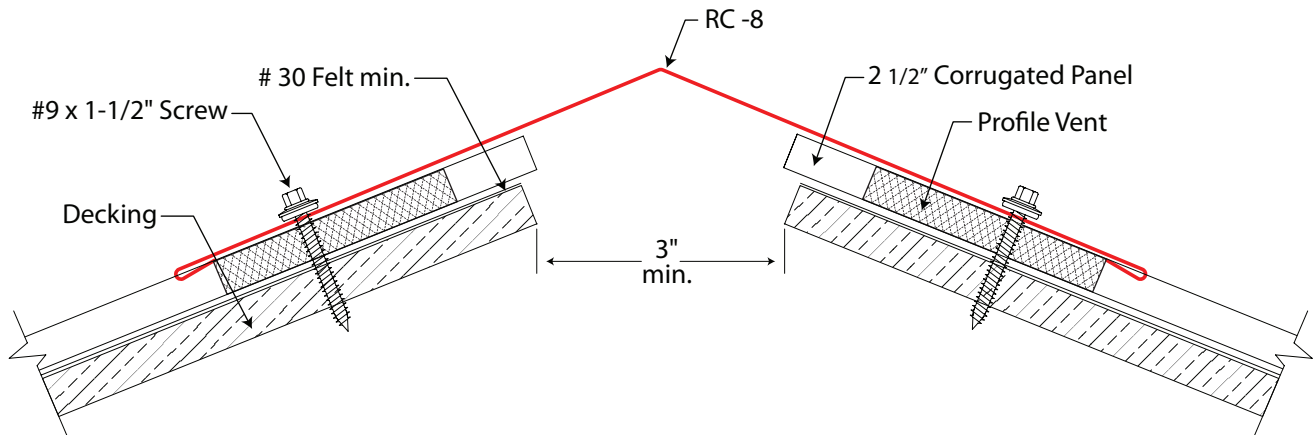


* See page 27 for angle specification

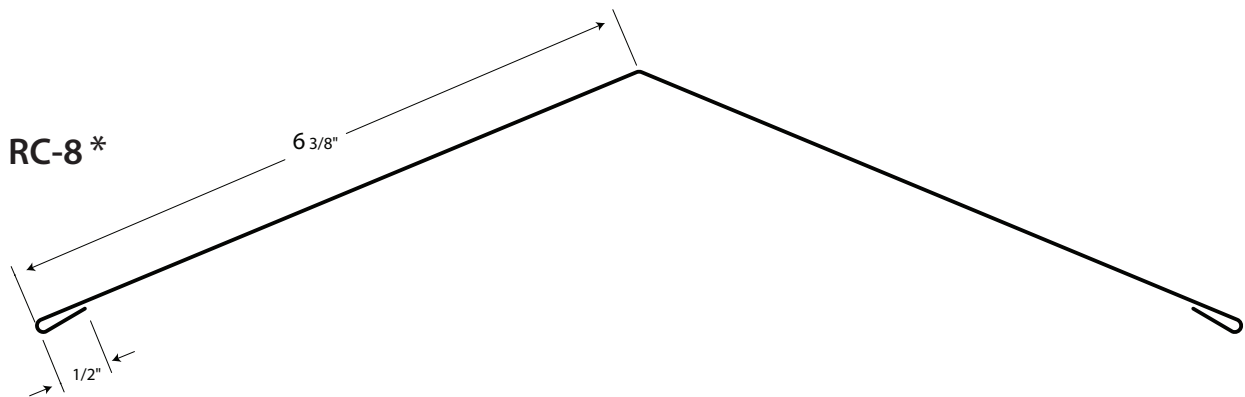
Corrugated



Optional Vented Ridge with Profile Vent



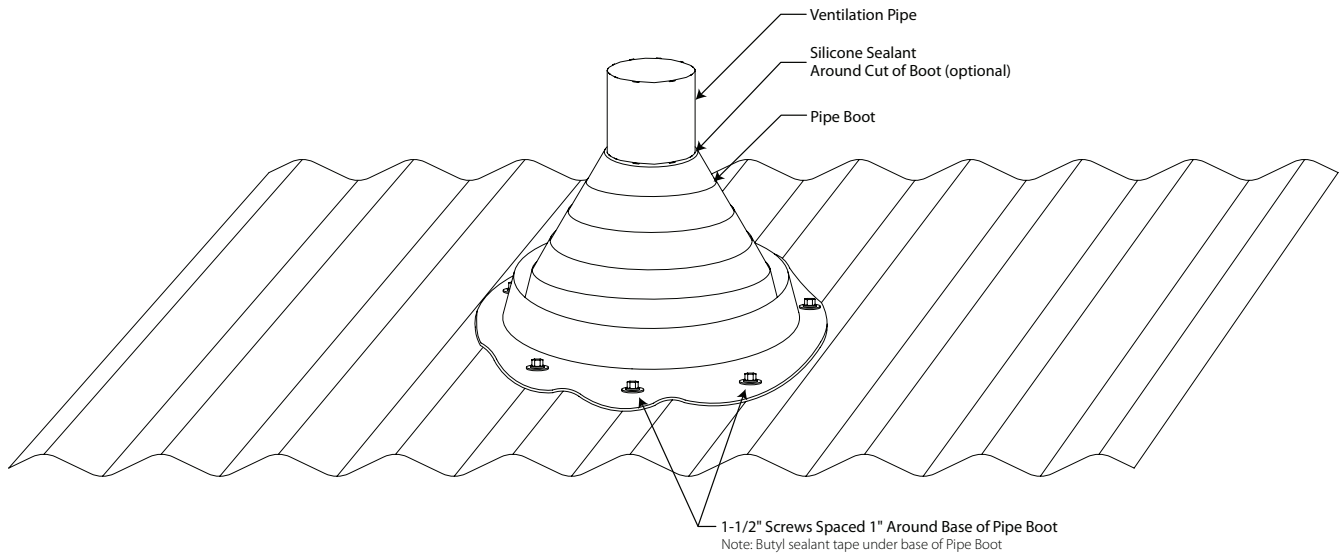
Component Details



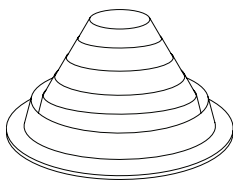
* See page 27 for angle specification



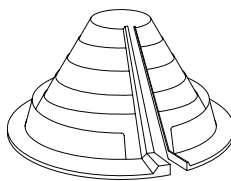
Pipe Boot



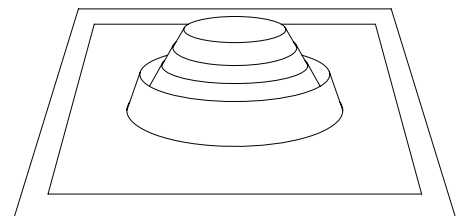
Component Details



**Standard
Pipe Boot**

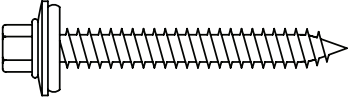
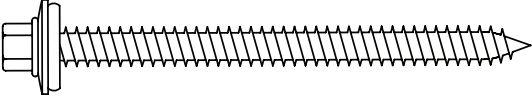
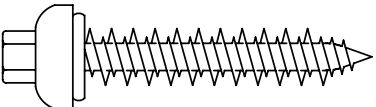
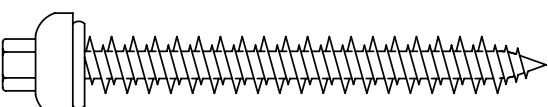


**Zipper
Pipe Boot**



**Flashing
Pipe Boot**

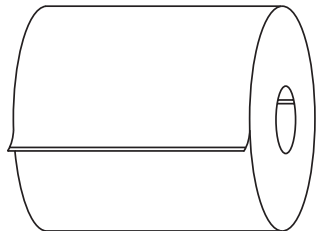


Fastener Guide			
Fastener	Size	Finish	Application
<p>Woodscrew</p> 	<p>#9 - 1 1/2"</p> <p>#9 - 1 1/2"</p>	<p>Painted</p> <p>Mill Finish</p>	<p>Fastening galvanized based panels or trims to a wood substrate</p>
<p>Woodscrew</p> 	<p>#9 - 2 1/2"</p> <p>#9 - 2 1/2"</p>	<p>Painted</p> <p>Mill Finish</p>	<p>Fastening galvanized based panels or trims to a wood substrate</p>
<p>Woodscrew</p> 	<p>#9 - 1 1/2"</p> <p>#9 - 1 1/2"</p>	<p>Painted</p> <p>Mill Finish</p>	<p>Fastening galvalume or galvanized based panels or trims to a wood substrate</p>
<p>Woodscrew</p> 	<p>#9 - 2 1/2"</p> <p>#9 - 2 1/2"</p>	<p>Painted</p> <p>Mill Finish</p>	<p>Fastening galvalume or galvanized based panels or trims to a wood substrate</p>

Corrugated



Sealants and Accessories



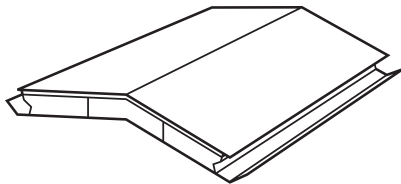
Hip Sealant Tape



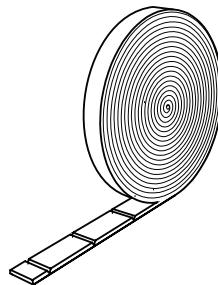
Butyl Sealant Tape



Tube Sealant



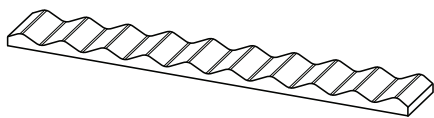
Venturi Vent



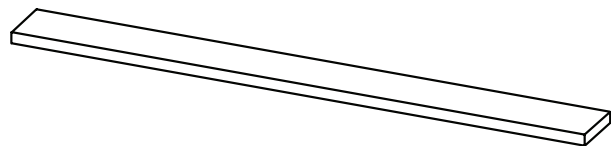
Profile Vent



Touch Up Paint



Closure Strip



Universal Closure Strip



Helpful Formulas

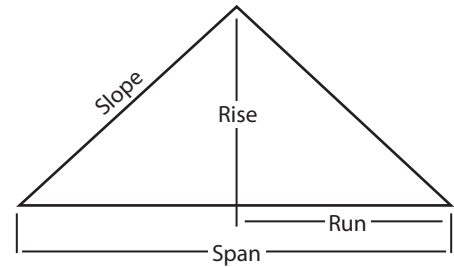
Rise and Run	Multiply Flat Area by	LF of Hips or Valleys per LF of Common Run	Decimal Fraction of a Foot	
			Inch	Fraction
2 in 12	1.041	1.424	1"	.083
3 in 12	1.031	1.436	2"	.167
4 in 12	1.054	1.453	3"	.250
5 in 12	1.083	1.474	4"	.333
6 in 12	1.118	1.500	5"	.417
7 in 12	1.158	1.530	6"	.500
8 in 12	1.202	1.564	7"	.583
9 in 12	1.250	1.600	8"	.667
10 in 12	1.302	1.641	9"	.750
11 in 12	1.357	1.685	10"	.833
12 in 12	1.413	1.732	11"	.917
			12"	1.00

Roof Calculator

Height = 1/2 Span x Rise/Run (common run)

Height = Span x Pitch

Slope = Common Run x Factor



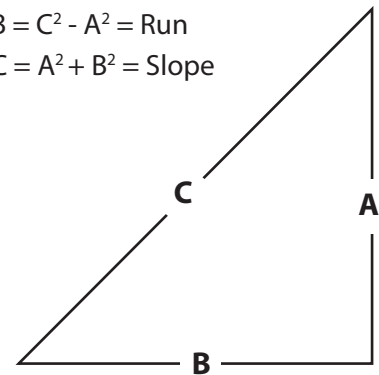
Triangle

Area = 1/2 x B x H

$A = C^2 - B^2 = H$

$B = C^2 - A^2 = \text{Run}$

$C = A^2 + B^2 = \text{Slope}$



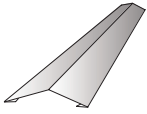
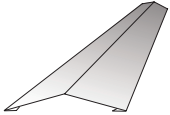
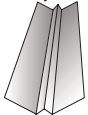
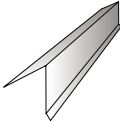
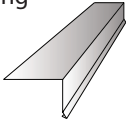
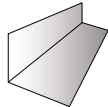
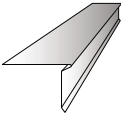
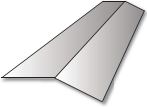
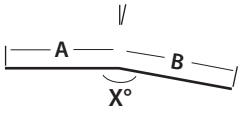
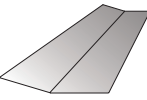
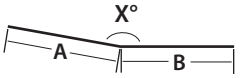
Roof Slope Conversion Table with Roof Pitch Multiplier

Angle	Rise Run
45 Degrees	12/12
42.50 Degrees	11/12
39.75 Degrees	10/12
36.75 Degrees	9/12
33.75 Degrees	8/12
30.25 Degrees	7/12
26.50 Degrees	6/12
22.75 Degrees	5/12
18.50 Degrees	4/12
14.90 Degrees	3/12
9.50 Degrees	2/12
4.75 Degrees	1/12
0.0 Degrees	Flat

A protractor diagram showing a semi-circle with angles marked from 0° to 90° in 10-degree increments. Lines are drawn from the center of the protractor at each angle, extending upwards and to the right.



Flashing Angle Specifier Chart

Profile/Flashing	*	1:12	2:12	3:12	4:12	5:12	6:12	7:12	8:12	9:12	10:12	11:12	12:12
Ridge Cap 	135°	170°	161°	152°	143°	135°	127°	120°	113°	106°	100°	95°	90°
Hip Cap 	148°	173°	166°	160°	154°	148°	143°	138°	133°	130°	126°	123°	120°
Pre-formed Valley 	136°	172°	162°	152°	144°	136°	128°	120°	114°	108°	104°	98°	90°
High Side Ridge 	67°	87°	81°	76°	71°	67°	63°	60°	56°	53°	50°	47°	45°
Eave Flashing 	90°	94°	99°	104°	108°	112°	116°	120°	123°	126°	128°	132°	135°
End Wall Flashing 	112°	94°	99°	104°	108°	112°	116°	120°	123°	126°	128°	132°	135°
Eave Drip 	90°	94°	99°	104°	108°	112°	116°	120°	123°	126°	128°	132°	135°
Gambrel Flashing 	 <p>To calculate the required pitch (X°), use the following equation: $180^\circ - (A^\circ - B^\circ) = \text{Gambrel Flashing pitch (X}^\circ\text{)}$</p>												
Transition Flashing 	 <p>To calculate the required pitch (X°), use the following equation: $180^\circ - (A^\circ - B^\circ) = \text{Transition Flashing pitch (X}^\circ\text{)}$</p>												

* Default Pitch unless otherwise specified

Corrugated



STEELLOGIC, LLC
BUILDING PRODUCTS DIVISION



ENERGY
STAR
PARTNER

Corrugated